

**Automatic creasing**  
**Perforating and slitting options**  
**High productivity deep pile feeder**

*Greeting Cards, Postcards, Leaflets, CD/DVD Inlays, Brochures,  
Book Covers and Point of Sale Materials*



The DC-446 is a fully automated, highly productive, programmable creasing solution for the short-run digital colour market



### Reliable feeding

An automatic suction feeder with switable belts, ensures the consistent delivery of sheets into the machine with no risk of marking. In case of digital stocks with a high level of static, an optional air knife can further assist with sheet separation and feeding.

An optional ultrasonic double feed detector ensures only one document will ever be processed at a time with any misfeeds easily retrievable and undamaged.



### Applications

The DC-446 provides a creasing solution for a wide range of applications;

- Greetings cards
- 2-fold / 3-fold leaflets
- Brochures
- Book covers
- CD/DVD covers
- Menus
- Flyers and Mailers

Perforating options can extend the DC-446's capability further, offering high speed perforating for coupon type applications. Likewise slitting options provide a simple solution for applications such as CD covers where a finished size of 120mm is needed.



### A professional finish

Up to 20 creases can be placed along the sheet. These can be adjusted in 0.1mm increments ensuring a high degree of positioning accuracy. An extremely high level of consistent accuracy during any production run is also assured with a tolerance of +/- 0.3mm. Furthermore, the creasing tool can be automatically adjusted up or down to three possible positions to accommodate different stock thicknesses and provide the best finish. Skew and shrinkage allowances are two operator adjustments which can help to compensate for possible issues arising when the digital printer generates the image on the paper.



Switchable 4 or 8 belt feeding



exit tray



### High productivity

The 100mm feed pile height is complementary to the rated speed and minimises any re-load time. The combination of this capacity along with the top feeding design, means the machine offers exceptional productivity, allowing the operator to perform other tasks while the DC-446 gets on with the job.



### User Friendly

The DC-446 uses simple step-by-step set-up, assisted by illustrations on the LCD screen which guide the operator seamlessly through the process. Up to 30 jobs can be programmed and stored, providing high productivity with easy recall.



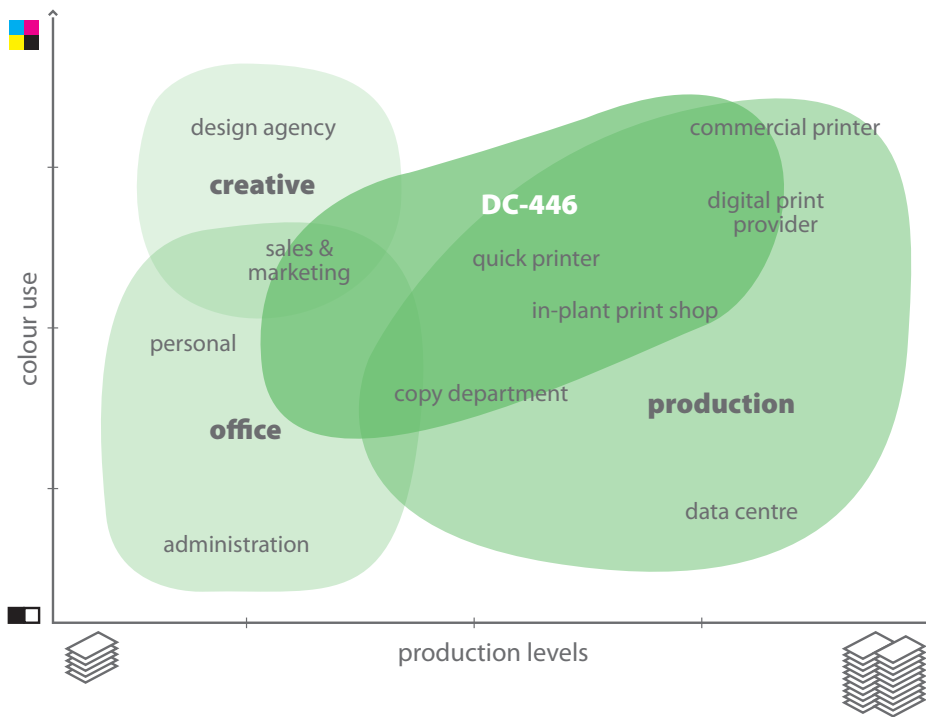
### Options

The feed tray offers a 100mm deep capacity, which combined with a top-feeding process offers great productivity. An air knife can be added for stocks with particularly high static.



### Integrated Folding System (IFS)

The IFS is a range of modules purpose built to extend the capabilities of the DC-446. At the heart of the IFS is the F2 folder module that includes two folding knives. This allows 7 common fold patterns to be produced on a range of paper stocks and weights, all with a presentable crack-free finish.

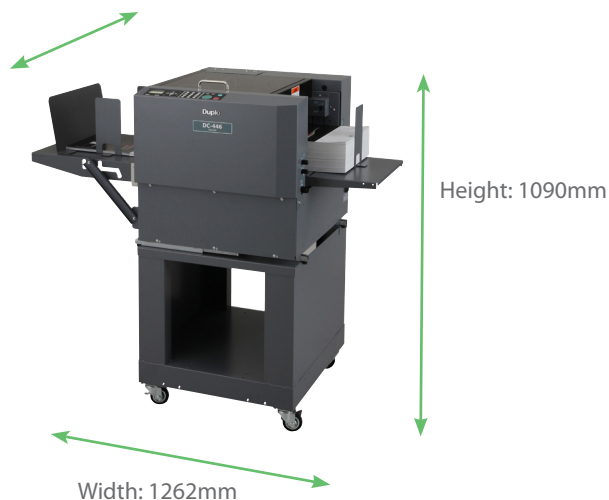


Benefits of creasing

# Specifications

<b>Dimensions: (LxWxH)</b>	1262 × 618 × 573 mm (1090 with optional cabinet)	<b>Feeder Speed:</b>	A4 SEF (1 crease) @ 60 sheets/minute A4 SEF (2 creases) @ 31 sheets/minute A3 SEF (1 crease) @ 39 sheets/minute A3 SEF (2 creases) @ 29 sheets/minute A4 LEF perforate or slit only @ 92 sheets/minute
<b>Weight:</b>	79 kg (114 kg with optional cabinet)	<b>Number of Creases:</b>	Up to 20 creases per document across the paper direction
<b>Power supply:</b>	230V AC, 50Hz, power consumption 160W, 0.6A	<b>Crease Depth Adjustment:</b>	3 steps (from control panel)
<b>Input Paper Size:</b>	140 × 150 mm Min. 330 mm × 670 mm Max. For sheets longer than 460mm an optional feed tray is required	<b>Tolerance of creaser:</b>	+ / - 0,3 mm
<b>Input Paper Weight:</b>	110 gsm Min. 350 gsm Max. Paper curl within +/- 3mm	<b>Memories:</b>	30
<b>Paper Type:</b>	Uncoated paper, coated paper, laminated paper	<b>Minimum Repeat Distance:</b>	0,1 mm
<b>Feeder Capacity:</b>	100mm (exit tray 110mm)	<b>Options:</b>	Perforators (15 teeth/inch), Slitters, Air Knife, Double Detection, Long Paper Tray, Cabinet
<b>Feeder Type:</b>	Top feed / 8 Belt suction		

Depth: 618mm



**Duplo International Limited**  
Automated Precision House  
Hamm Moor Lane, Addlestone  
Surrey KT15 2SD,  
United Kingdom

Tel +44(0) 1932 263 900 - Fax +44(0) 1932 263 901  
info@duplointernational.com  
www.duplointernational.com

Duplo is a trade mark of the Duplo Corporation. Duplo has a policy of continuous improvement and reserves the right to amend the above specification without prior notice

Production rates are based on optimal operating conditions and may vary depending on stock and environmental conditions. As part of our continuous product improvement program, specifications are subject to change without notice.



Ref: DC446/02/18